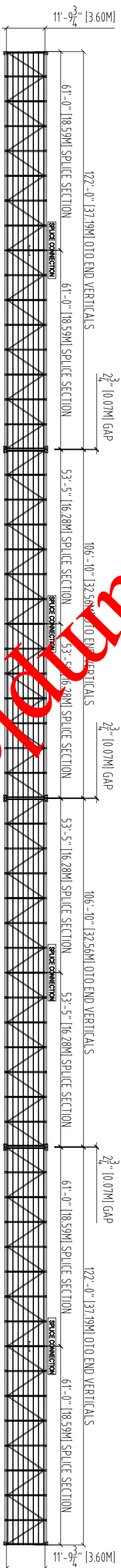


VERTICAL TRUSS ELEVATION



HORIZONTAL TRUSS PLAN

GENERAL NOTES

GOVERNING DESIGN CODES / REFERENCES:

Structural steel shall be designed in accordance with the "Guide Specifications for Design of Pedestrian Bridges" as published by the American Association of State Highway and Transportation Officials (AASHTO). Welded HSS Connections shall be designed in accordance with the American National Standards Institute / American Welding Society (ANSI/AWS) D11, and/or AISC "Specification for the Design of Steel Hollow Structural Sections."

DESIGN LOADS:

- 85 psf (4.07 kPA) Uniform Live Load
- H 10 (88.96 kN) Vehicle Load
- 35 psf (1.67 kPA) Wind Load - Horizontal over full vertical height
- 20 psf (0.96 kPA) Wind Load - Vertical Upward @ Quarter Point

FABRICATION:

Welding shall conform to the appropriate provisions of the ASN / AWS D11 Structural Welding Code and/or ANSI / AWS D15 Bridge Welding Code. Welding electrodes to be a minimum E80. Unless shown otherwise, welds shall be minimum recommended by AWS.

MATERIALS:

Structural steel shall be high strength, low alloy, atmospheric corrosion resistant ASTM A847 cold-formed welded square and rectangular hollow structural sections, and / or ASTM A588 plate and structural steel shapes.

Wood decking shall be nominal 3X8 No. 1 SYP. Deck plank attachment shall be hot-dip galvanized carriage bolts.

FINISHING:

All steel requiring blast cleaning shall be blast cleaned in accordance with Steel Structures Painting Council Preparation Specifications No. 6 Commercial Blast Cleaning, SSPC-SP6, latest edition.

MATERIALS LIST-SPAN 1 & 4

KEY	DESCRIPTION	LOCATION
A	HSS 6 x 6 x 1/4	TOP CHORD
B	HSS 6 x 6 x 1/4	BOTTOM CHORD
C	HSS 6 x 6 x 1/4	VERTICAL
D	HSS 6 x 6 x 3/8	END VERT. / PORTAL STRUT
E	HSS 3 x 3 x 1/4	DIAGONAL
F	HSS 3 x 3 x 1/4	TOP BRACE DIAGONAL
G	HSS 4 x 4 x 1/4	BOT. BRACE DIAG. (END 3)
H	HSS 3 x 3 x 1/4	BOT. BRACE DIAG. INT.
I	C 5 x 6.7	STRINGER
J	W 10 x 22 / HSS 6 x 6 x 3/8	FLOOR BEAM/END FL. BEAM
K	HSS 4 x 4 x 1/4	TOP STRUT
L	L 1-1/2 x 1-1/2 x 1/8	SAFETY RAIL
M	FL 1/4 x 6	TOE RAIL
N	PL 11-1/2 x 11-1/2 x 3/4	BEARING PLATE
O	11-1/2 x 11-1/2 x 1/8	UHMW POLY SLIP PAD
P	PL 11-1/2 x 11-1/2 x 3/8	SETTING PLATE
Q	C 10 x 15.3	SPLICE FLOOR BEAM
R	C 6 x 8.2	SPLICE VERTICAL
S	C 4 x 5.4	SPLICE STRUT

MATERIALS LIST-SPAN 2 & 3

KEY	DESCRIPTION	LOCATION
A	HSS 8 x 6 x 1/4	TOP CHORD
B	HSS 8 x 6 x 1/4	BOTTOM CHORD
C	HSS 6 x 6 x 1/4	VERTICAL
D	HSS 8 x 6 x 1/4	END VERTICAL
E	HSS 3 x 3 x 1/4	DIAGONAL (END 3 BAYS)
F	HSS 3 x 3 x 1/4	DIAGONAL (INT)
G	HSS 3 x 3 x 1/4	BRACE DIAGONAL
H	C 5 x 7	STRINGER
I	W 10 x 22	FLOOR BEAM
J	W 10 x 22	END FLOOR BEAM
K	L 1-1/2 x 1-1/2 x 1/8	SAFETY RAIL
L	FL 1/4 x 6	TOE RAIL
M	PL 11-1/2 x 11-1/2 x 3/4	BEARING PLATE
N	11-1/2 x 11-1/2 x 1/8	UHMW POLY SLIP PAD
O	PL 11-1/2 x 11-1/2 x 3/8	SETTING PLATE
P	C 10 x 15.3	SPLICE FLOOR BEAM
Q	C 6 x 8.2	SPLICE VERTICAL
R	NOM. 2x6 No. SYP	RUB RAIL

PLAN SHEET INDEX

- S1 OVERALL BRIDGE ELEVATION & PLAN, GENERAL NOTES, MATERIALS LIST, PLAN SHEET INDEX
- S2 SPAN 1 & 4 ELEVATION AND PLAN
- S3 SPAN 1 & 4 SECTION AND DETAILS / WELD DETAILS
- S4 SPAN 1 & 4 SPLICE DETAILS
- S5 SPAN 2 & 3 ELEVATION AND PLAN
- S6 SPAN 2 & 3 SECTION AND DETAILS / WELD DETAILS
- S7 SPAN 2 & 3 SPLICE DETAILS
- S8 BEARING DETAILS
- S9 ANCHOR ROD LAYOUT

LAYOUT SHOWN ASSUMING 70° F
CONTRACTION @ -40° F: " SPAN 1&4, 15/16" SPAN 2&3, APPROX.
EXPANSION @ 140° F: 11/16" SPAN 1&4, 9/16" SPAN 2&3, APPROX.

Anderson Bridges, LLC
111 Willow Street
Colfax, WI 54730
Phone: 715-962-2800
Fax: 715-962-2801

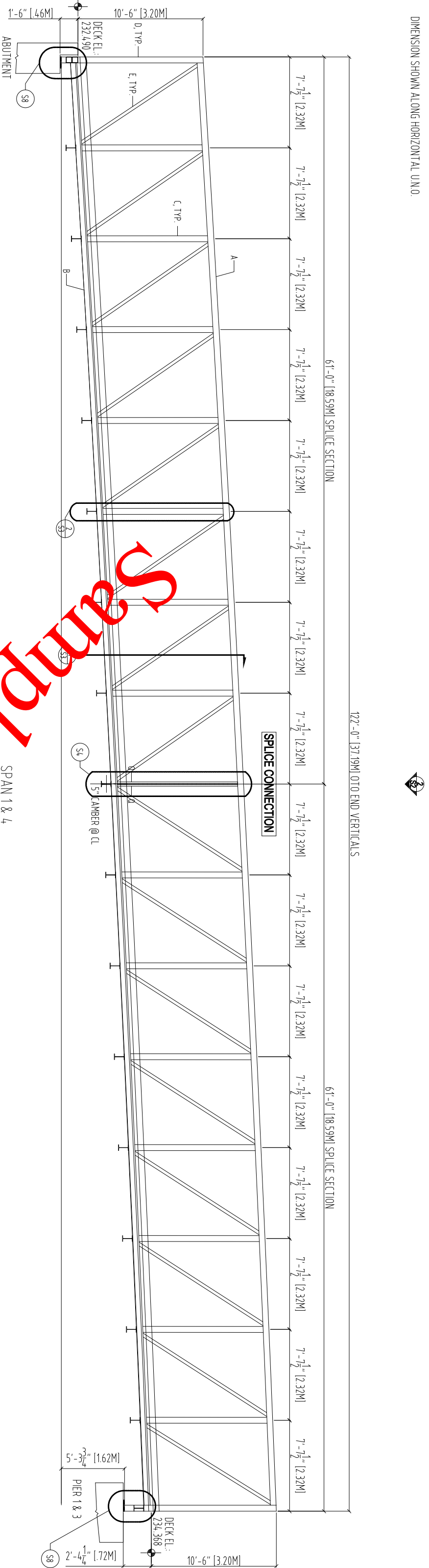
Pecatonica Prairie Path Bridge No. 99
Spans 1, 2, 3 & 4 - Freeport, IL

BRIDGE ELEVATION AND PLAN
GENERAL NOTES & MATERIALS LIST
PLAN SHEET INDEX

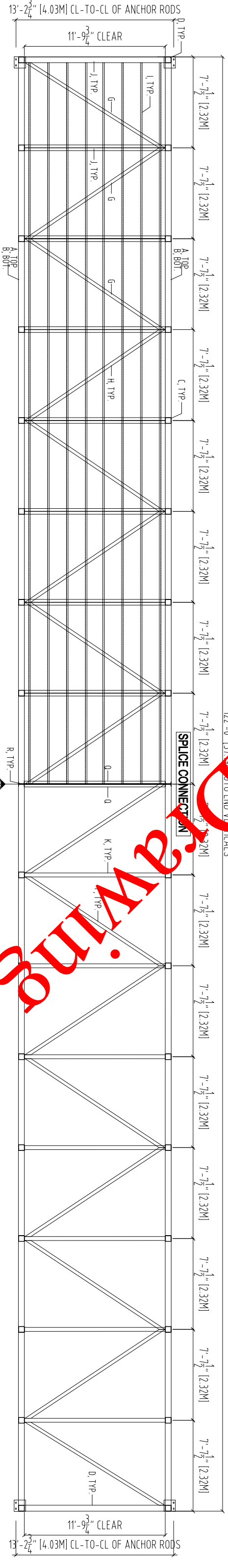
"I certify that to the best of my knowledge, information and belief, this bridge design is structurally adequate for the design loading shown on the plans and complies with the requirements of the Contract and the current AASHTO Guide Specifications for Design of Pedestrian Bridges."

Rev	Date	Revision Description	By
1	4-10-10	Revised Span 1 & 4 to 1'-0" Deck to Low Steel	TLV

Bridge Size: 458'-8 1/4" x 11'-9 3/4"
Design: TLV
Date: January 2010
Job Number: 0929
Drawing Number: S1 of S9



1 VERTICAL TRUSS ELEVATION



2 HORIZONTAL TRUSS PLAN

BOTTOM FRAMING SHOWN:
FLOOR BEAM, BOTTOM BRACE DIAGONAL, STRINGER

SYMMETRIC ABOUT CL

TOP FRAMING SHOWN:
TOP STRUT, PORTAL STRUT, TOP BRACE DIAGONAL

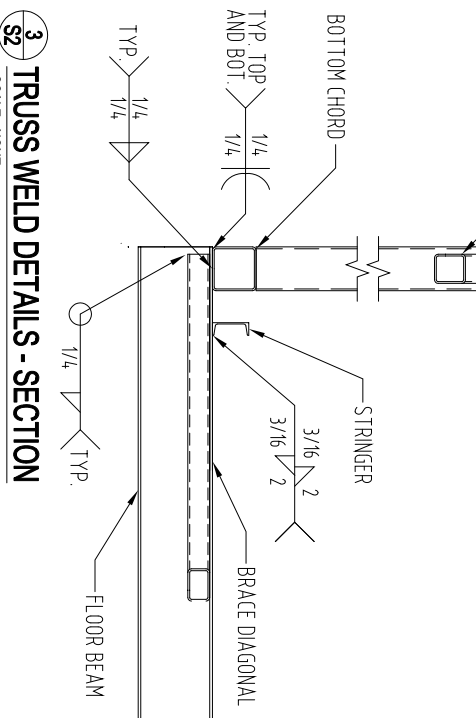
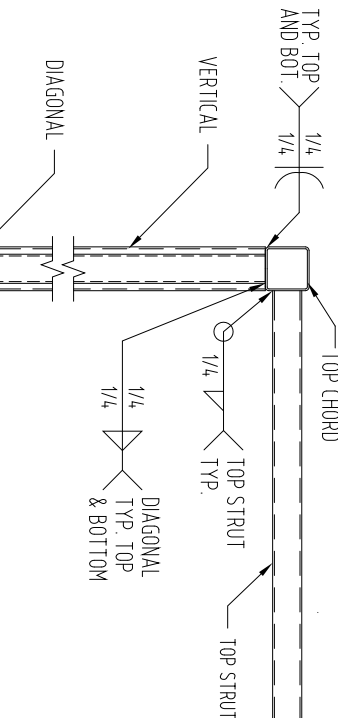
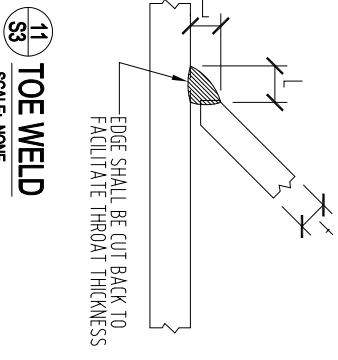
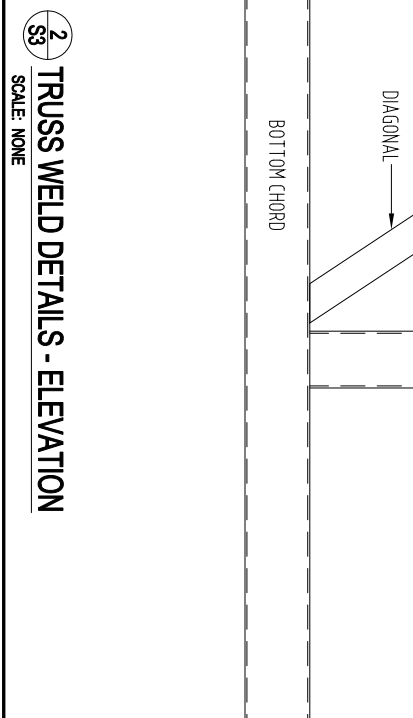
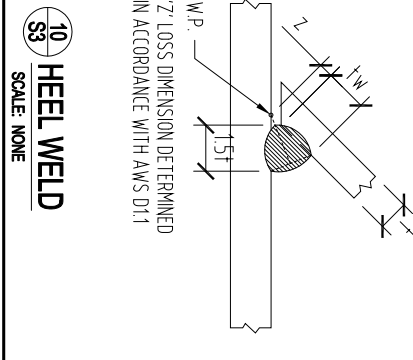
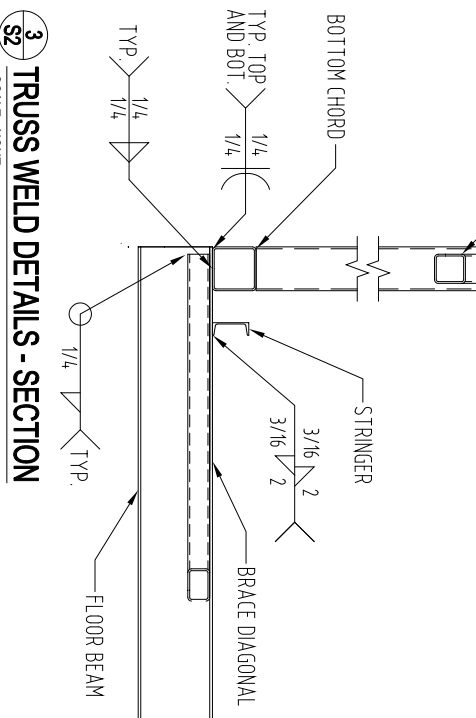
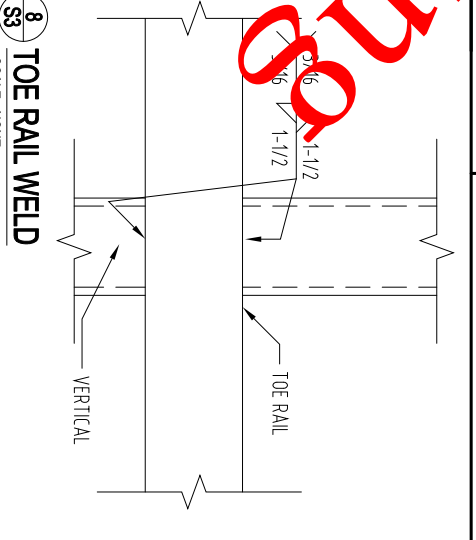
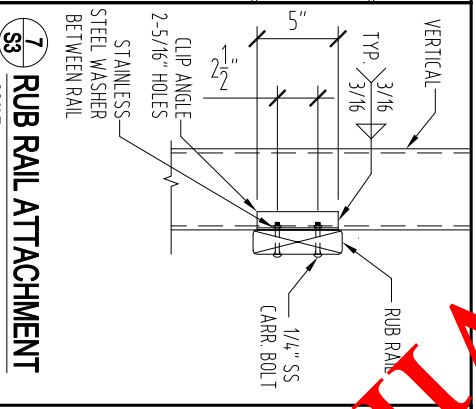
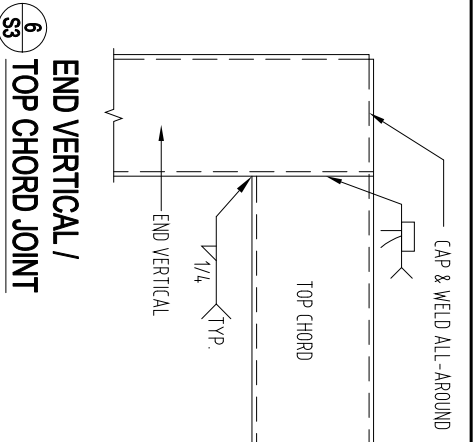
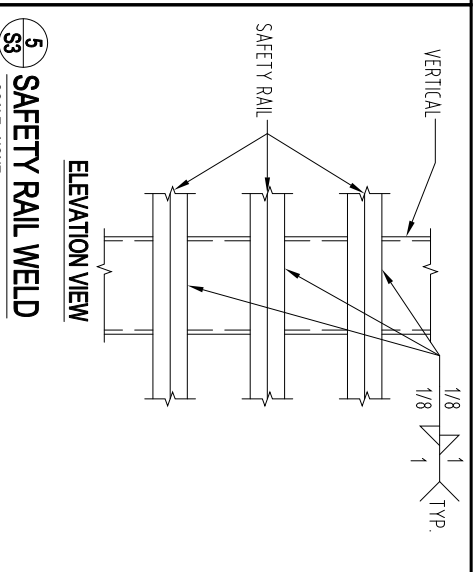
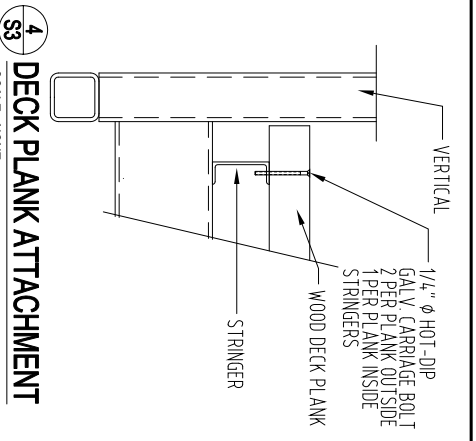
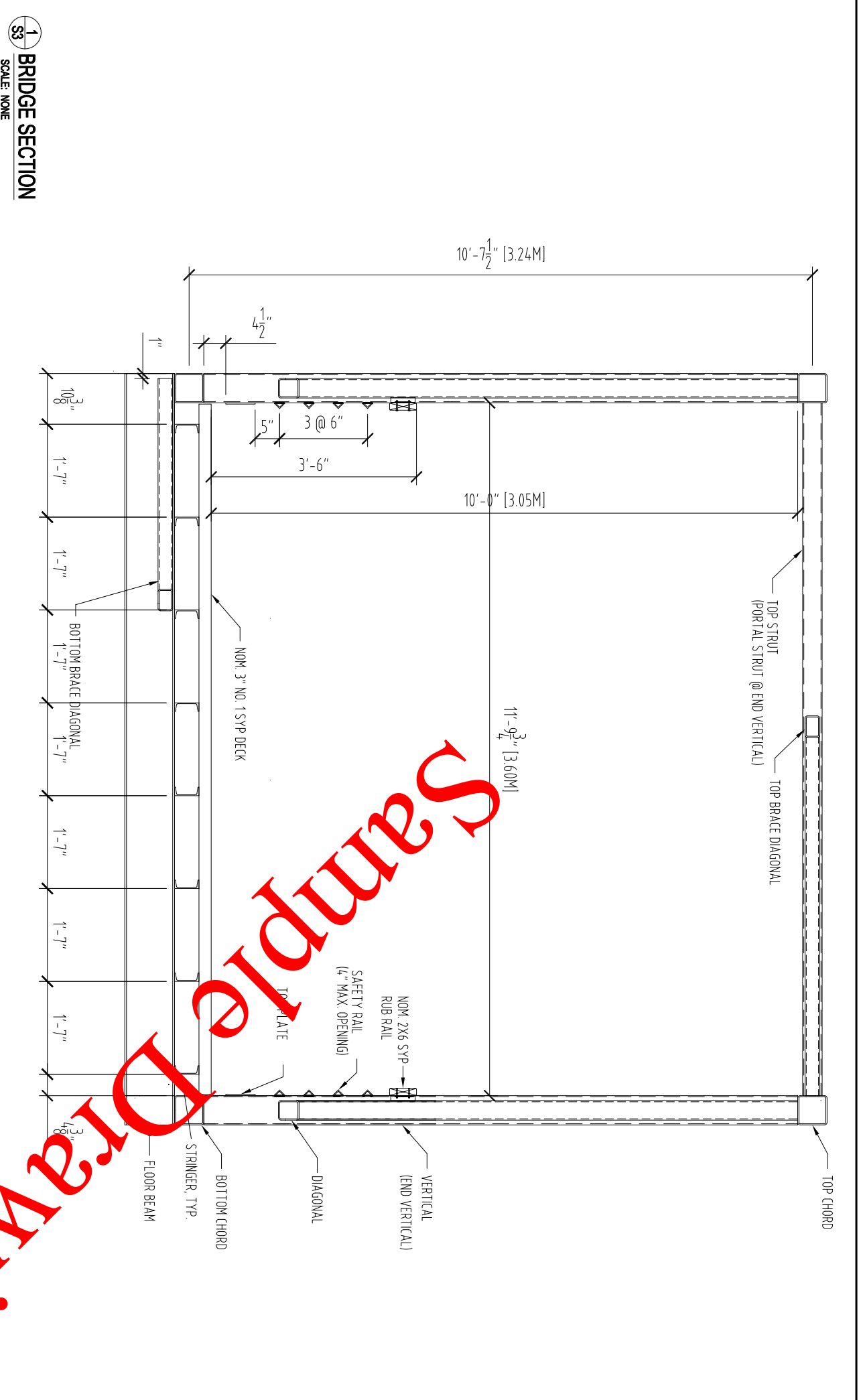
Sample Drawing

Anderson Bridges, LLC
111 Willow Street
Colfax, WI 54730
Phone: 715-962-2800
Fax: 715-962-2801

Pecatonica Prairie Path Bridge No. 99
Freeport, IL
SPAN 1 & 4 ELEVATION AND PLAN

"I certify that to the best of my knowledge, information and belief, this bridge design is structurally adequate for the design loading shown on the plans and complies with the requirements of the Contract and the current AASHTO Guide Specifications for Design of Pedestrian Bridges."

Bridge Size: 458-8 1/4" X 11-9 3/4"		Design: TLV	Job Number: 0929
Rev: 1	Date: 4-10-10	Date: Jan. 2010	Drawing Number: S2 of S9
Revision Description: Revised Span 1 & 4 to 1'-8" Top of Deck to Low Steel		By: TLV	



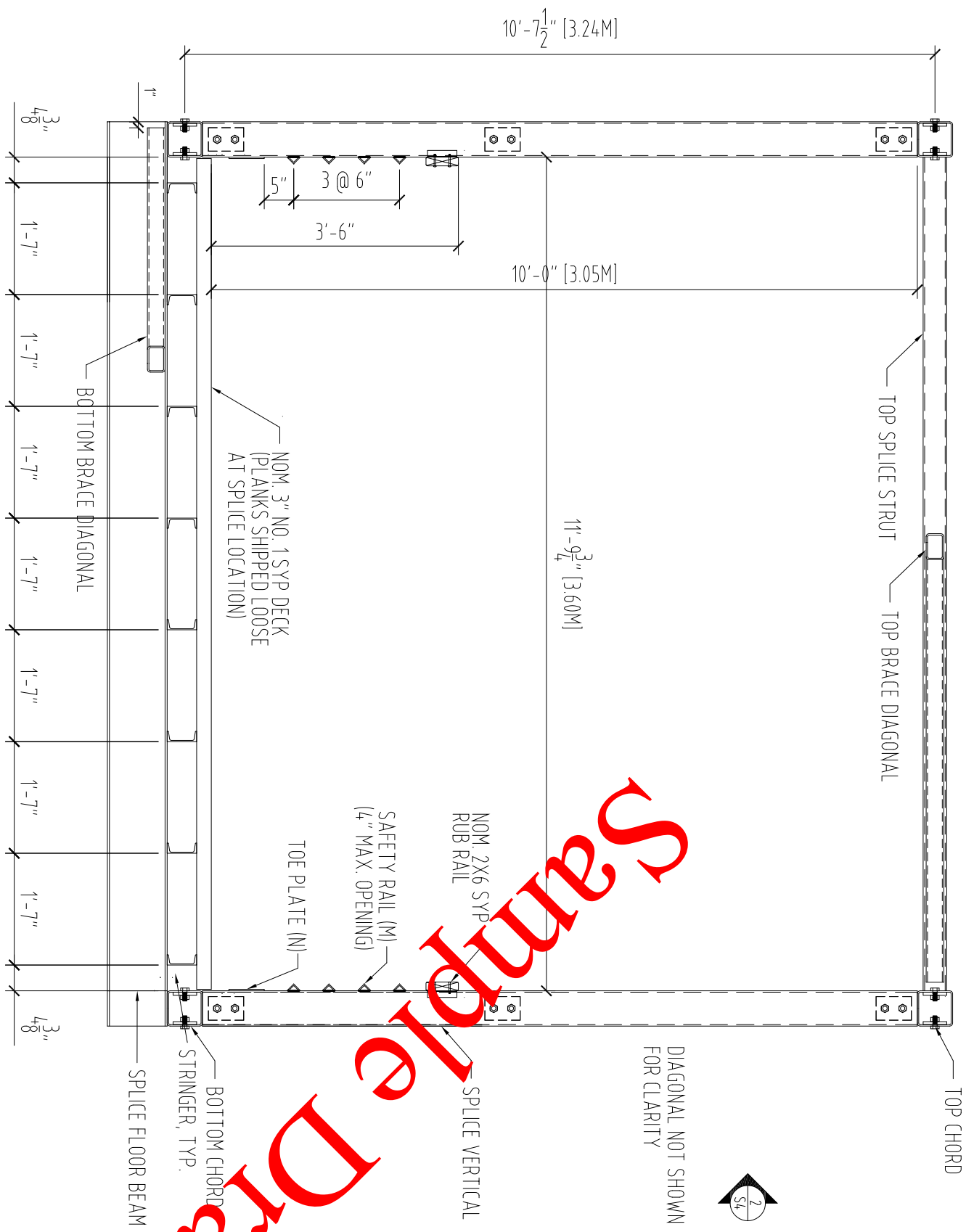
Anderson Bridges, LLC
 111 Willow Street
 Colfax, WI 54730
 Phone: 715-962-2800
 Fax: 715-962-2801

Pecatonica Prairie Path Bridge No. 99
Freeport, IL
 SPAN 1 & 4 BRIDGE SECTION AND DETAILS
 WELD DETAILS AND MISC.

I certify that to the best of my knowledge, information and belief, this bridge design is structurally adequate for the design loading shown on the plans and complies with the requirements of the Contract and the current "AASHTO Guide Specifications for Design of Pedestrian Bridges."

Rev	Date	Revision Description	By
1	4-10-10	Revised Span 1 & 4 to 1'-8" Top of Deck to Low Steel	TLV

Bridge Size: 458'-8 1/4" x 11'-9 3/4"
 Designer: TLV
 Date: Jan. 2010
 Job Number: 0929
 Drawing Number: S3 of S9



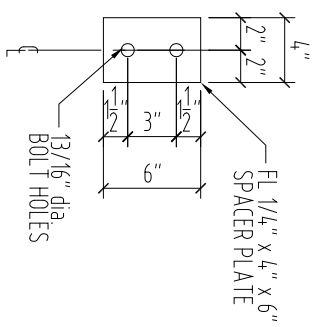
1 BRIDGE SECTION AT SPLICE
SCALE: NONE

Anderson Bridges, LLC
111 Willow Street
Colfax, WI 54730
Phone: 715-962-2800
Fax: 715-962-2801

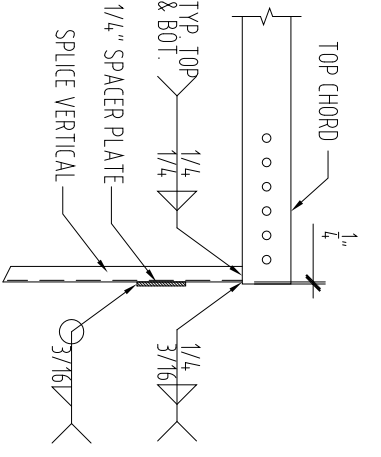
Pecatonica Prairie Path Bridge No. 99
Freeport, IL

SPAN 1 & 4 BRIDGE SPLICE SECTION AND DETAILS

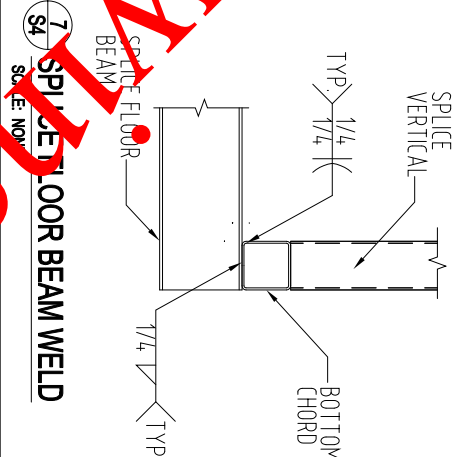
VERIFY ORIENTATION WITH APPLICATION



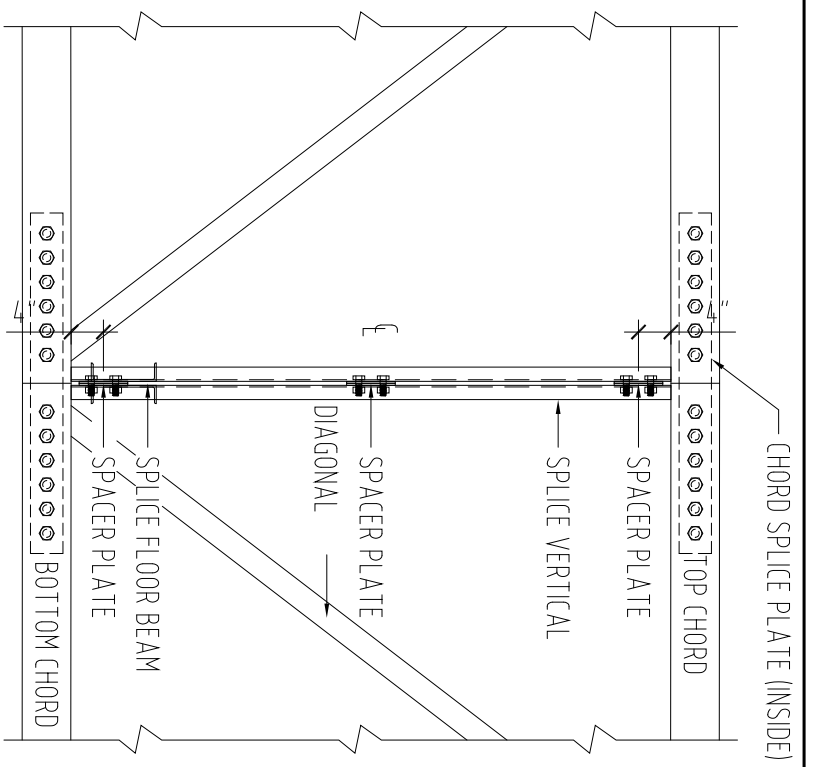
5 TYP. SPACER PLATE DETAIL
SCALE: NONE



6 SPLICE VERTICAL WELD
SCALE: NONE

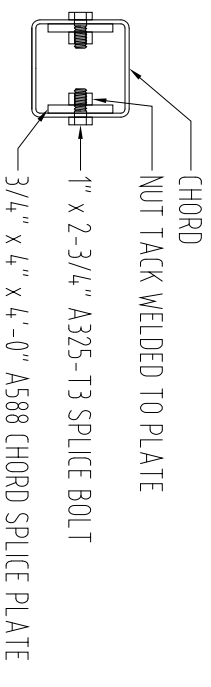


7 SPLICE FLOOR BEAM WELD
SCALE: NONE

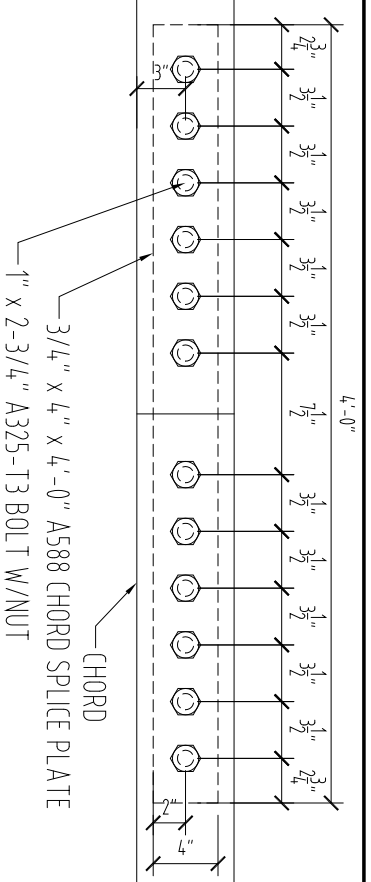


2 BRIDGE ELEVATION AT SPLICE
SCALE: NONE

NOTE: TYPICAL TOP & BOTTOM CHORD



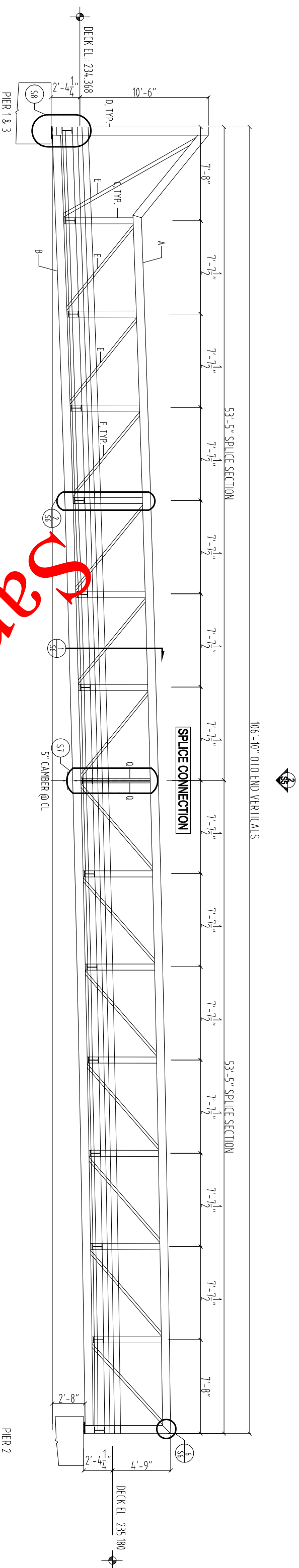
3 SPLICE CONNECTION SECTION DETAIL
SCALE: NONE



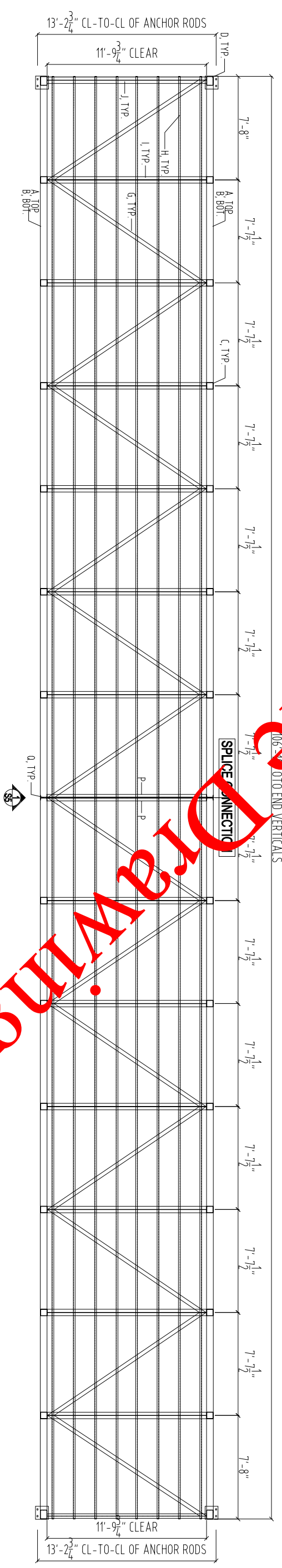
4 SPLICE CONNECTION ELEV. DETAIL
SCALE: NONE

"I certify that to the best of my knowledge, information and belief, this bridge design is structurally adequate for the design loading shown on the plans and complies with the requirements of the Contract and the current "AASHTO Guide Specifications for Design of Pedestrian Bridges."

Bridge Size:	458'-8 1/4" x 11'-9 3/4"	Designer:	TLV	Date:	Jan. 2010	Job Number:	0929
Revision:	1	Revision Description:	Revised Span 1 & 4 to 1'-0" Top of Deck to Low Steel	By:	TLV	Drawing Number:	S4 of S9



1 VERTICAL TRUSS ELEVATION



2 HORIZONTAL TRUSS PLAN

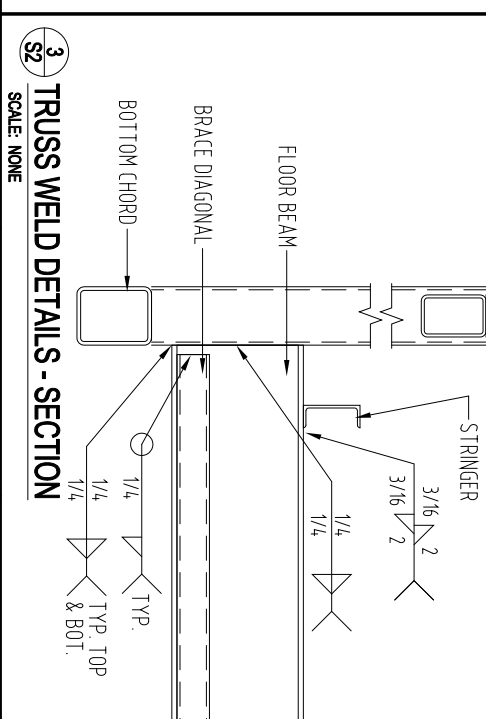
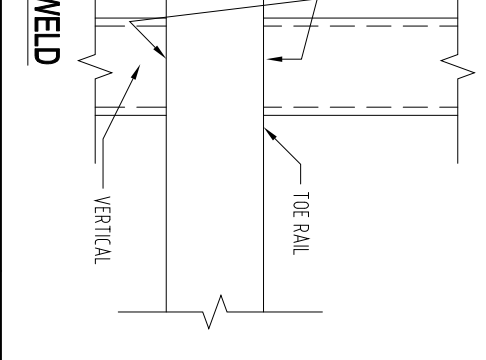
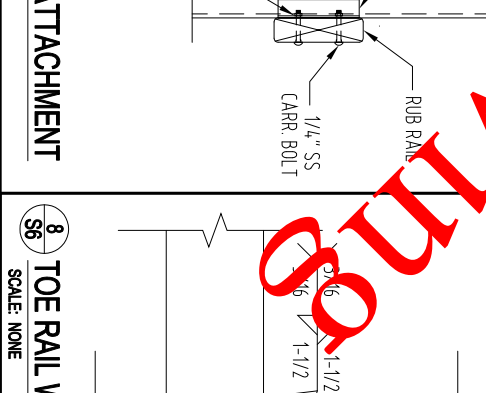
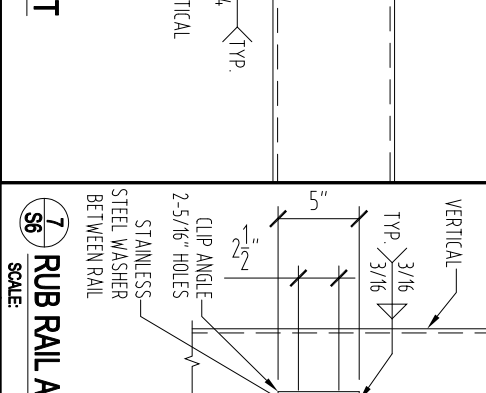
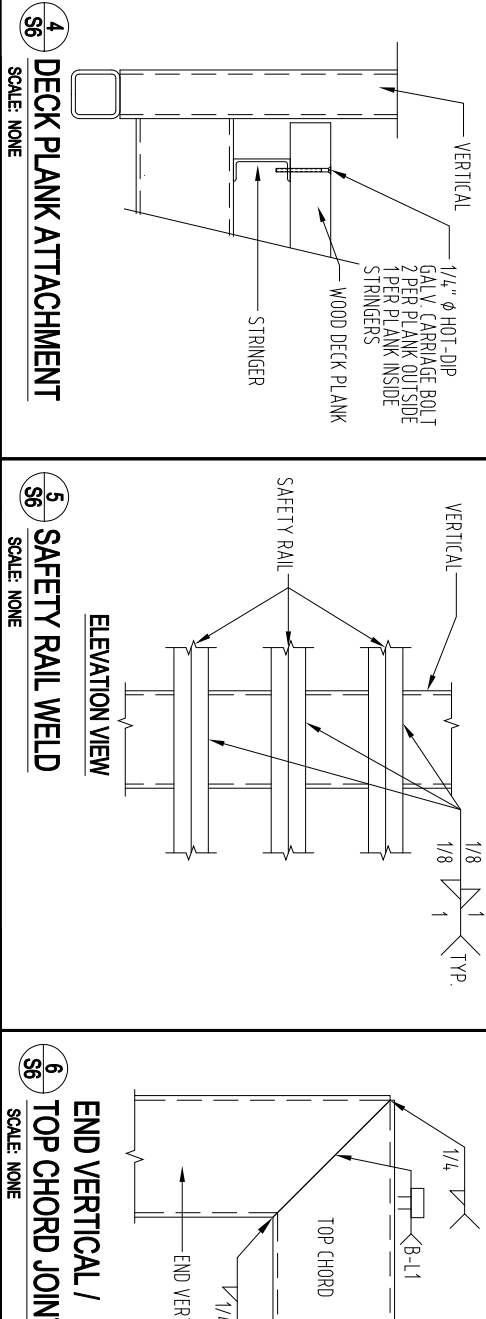
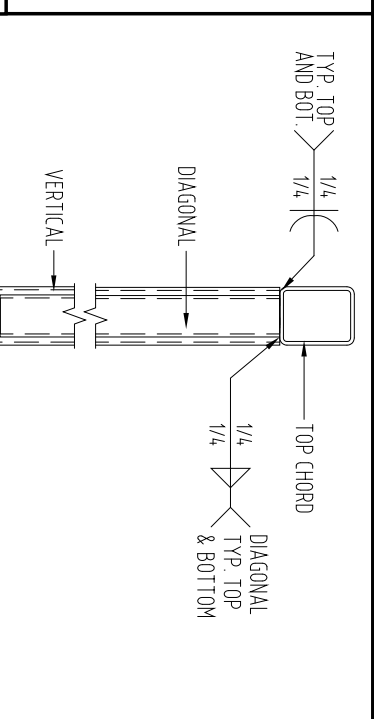
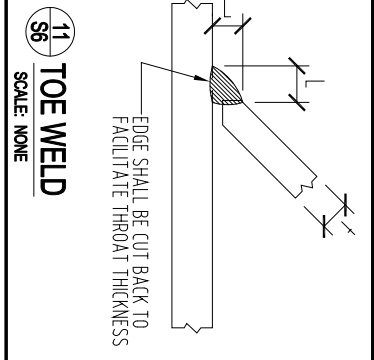
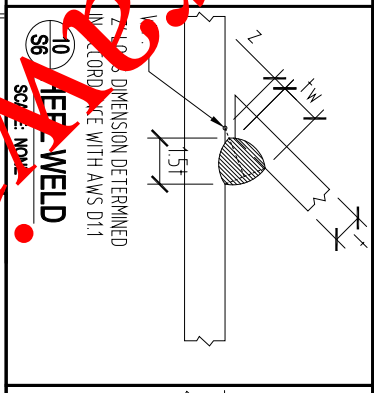
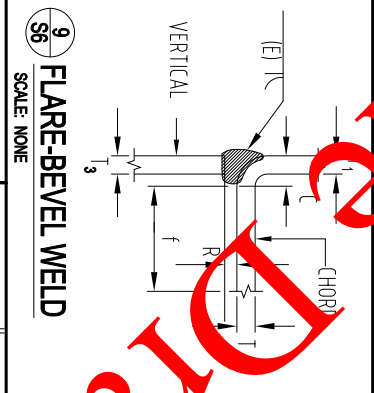
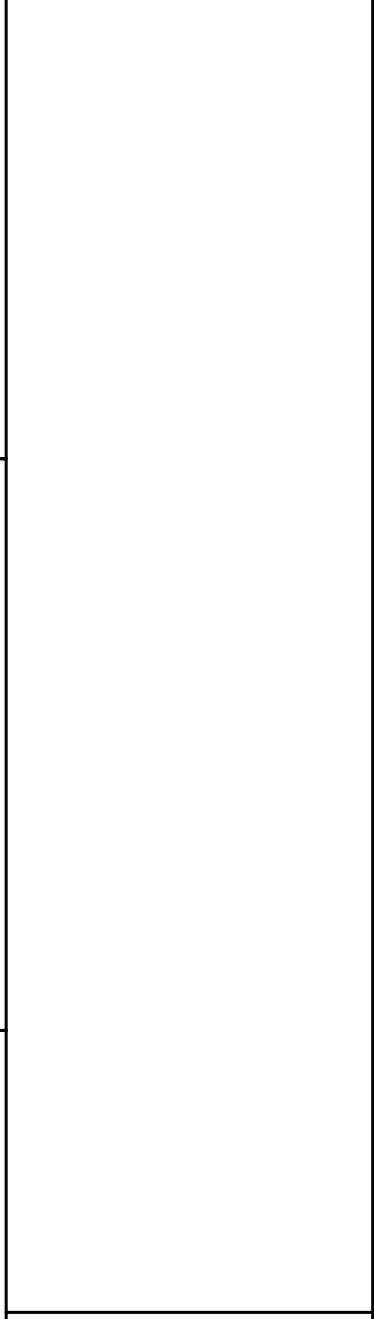
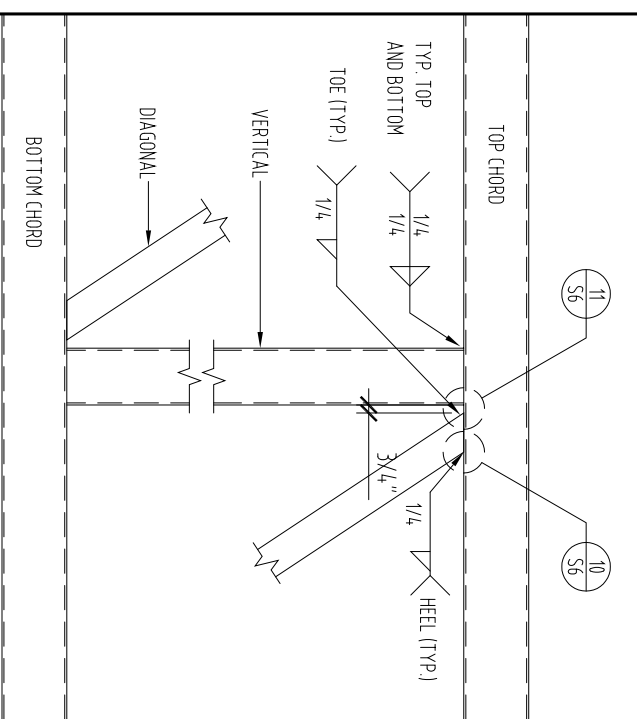
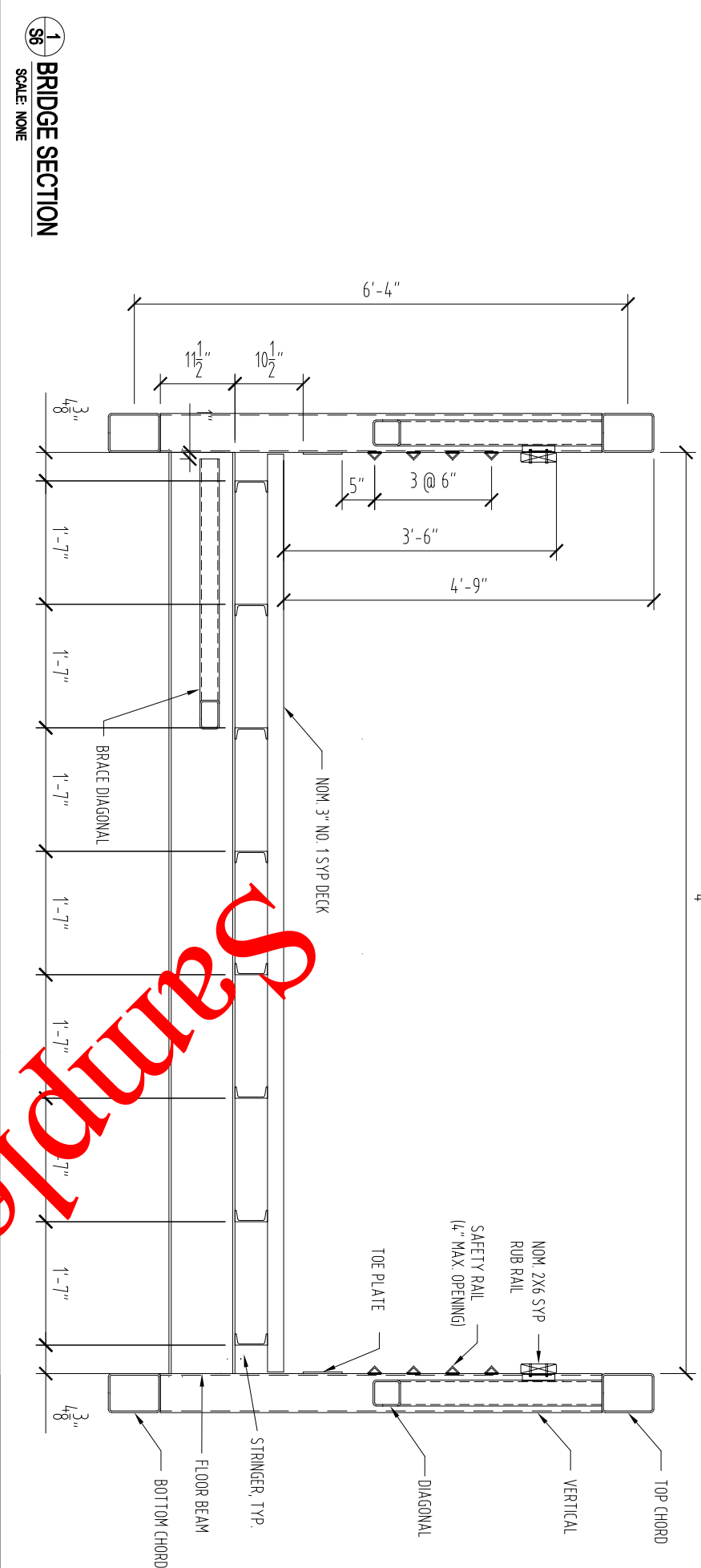
Sample Drawing

Anderson Bridges, LLC
 111 Willow Street
 Colfax, WI 54730
 Phone: 715-962-2800
 Fax: 715-962-2801

Pecatonica Prairie Path Bridge No. 99
Freeport, IL
 SPAN 2 & 3 ELEVATION AND PLAN

"I certify that to the best of my knowledge, information and belief, this bridge design is structurally adequate for the design loading shown on the plans and complies with the requirements of the Contract and the current AASHTO Guide Specifications for Design of Pedestrian Bridges."

Bridge Size: 48'-8 1/4" X 11'-9 3/4"		Design: TLV	Job Number: 0929
Rev: 1	Date: 4-10-10	Date: Jan. 2010	Drawing Number: S5 of S9
Revision Description: Revised Span 1 & 4 to 1'-8" Top of Deck to Low Steel		By: TLV	



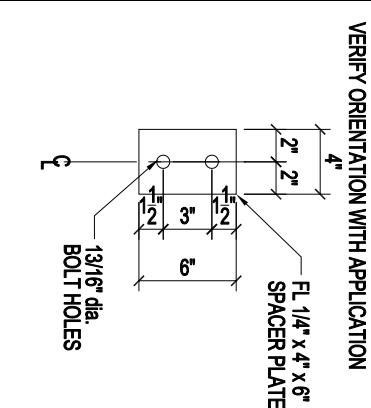
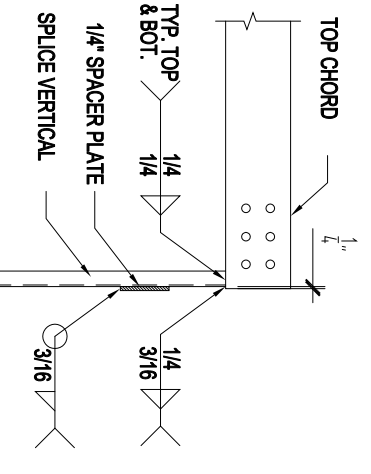
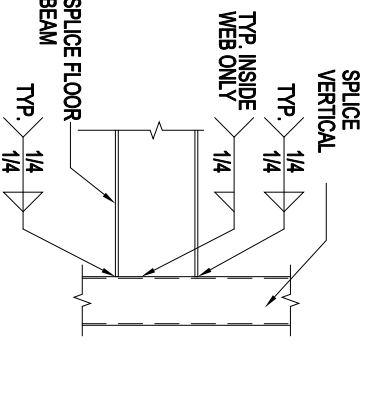
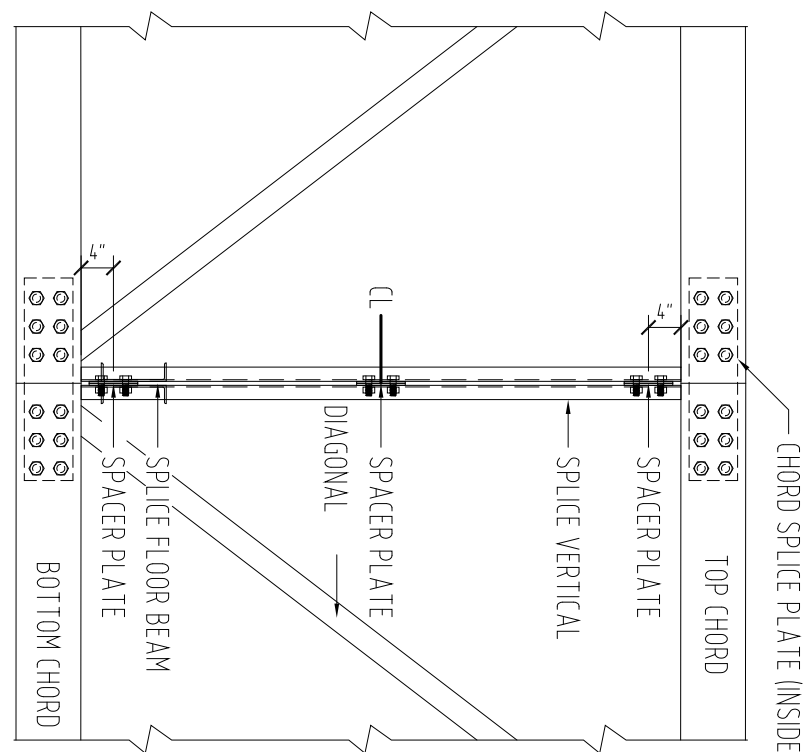
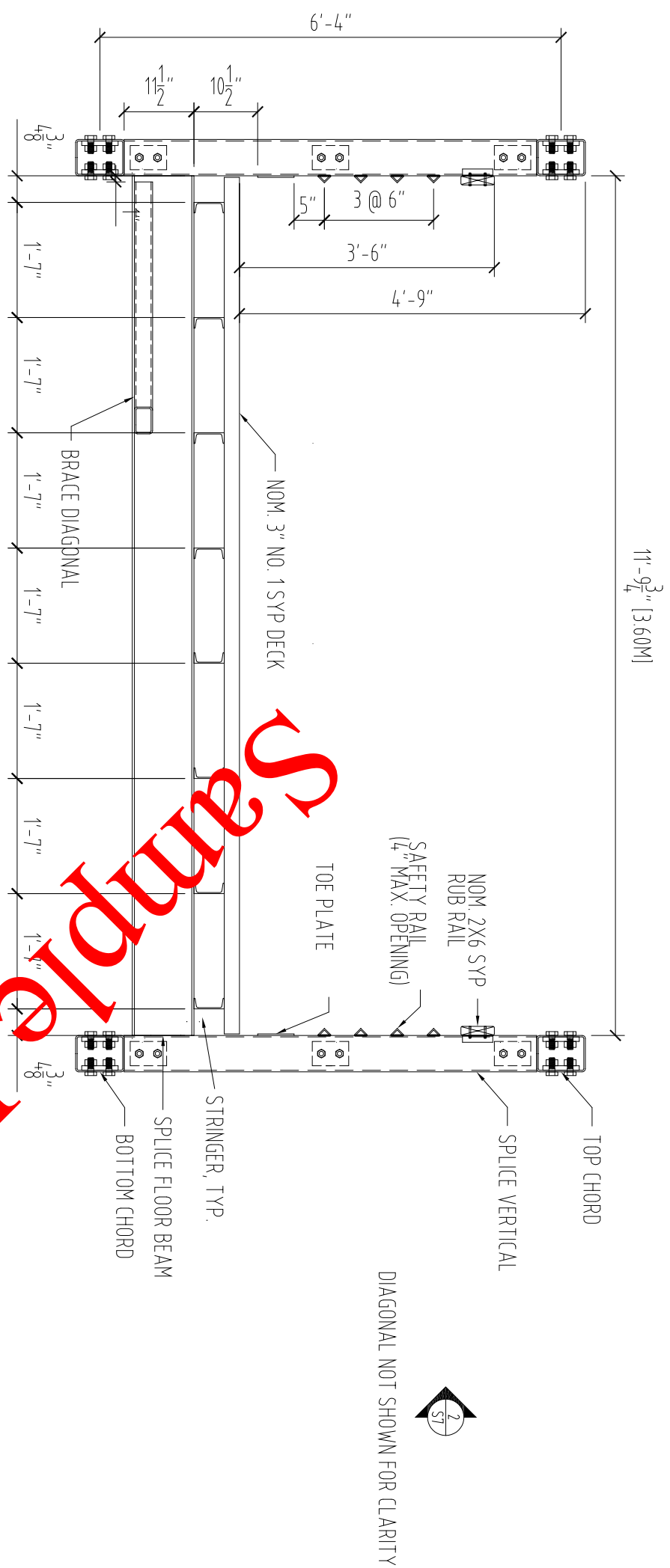
Anderson Bridges, LLC
 111 Willow Street
 Colfax, WI 54730
 Phone: 715-962-2800
 Fax: 715-962-2801

Pecatonica Prairie Path Bridge No. 99
Freeport, IL
 SPAN 2 & 3 BRIDGE SECTION AND DETAILS
 WELD DETAILS AND MISC.

11 I certify that to the best of my knowledge, information and belief, this bridge design is structurally adequate for the design loading shown on the plans and complies with the requirements of the Contract and the current "AASHTO Guide Specifications for Design of Pedestrian Bridges."

Rev.	Date	Revision Description	By
1	4-10-10	Revised Span 1 & 4 to 1'-8" Top of Deck to Low Steel	TLV

Bridge Size: 458'-8 1/4" x 11'-9 3/4"
 Design: TLV
 Date: Jan. 2010
 Job Number: 0929
 Drawing Number: S6 of S9

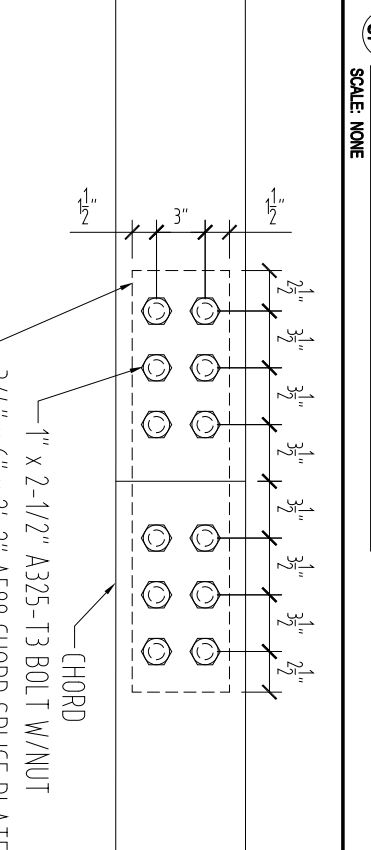


1 BRIDGE SECTION AT SPLICE
SCALE: NONE

2 BRIDGE ELEVATION AT SPLICE
SCALE: NONE

3 SPLICE CONNECTION SECTION DETAIL
SCALE: NONE

4 SPLICE CONNECTION ELEV. DETAIL
SCALE: NONE

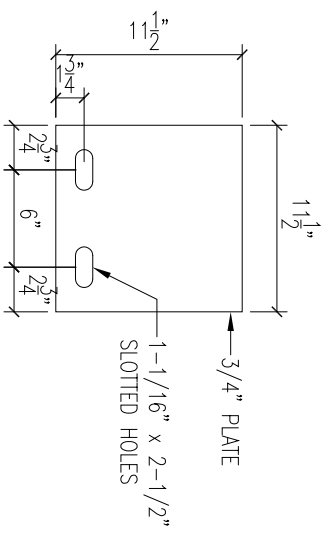


Anderson Bridges, LLC
111 Willow Street
Colfax, WI 54730
Phone: 715-962-2800
Fax: 715-962-2801

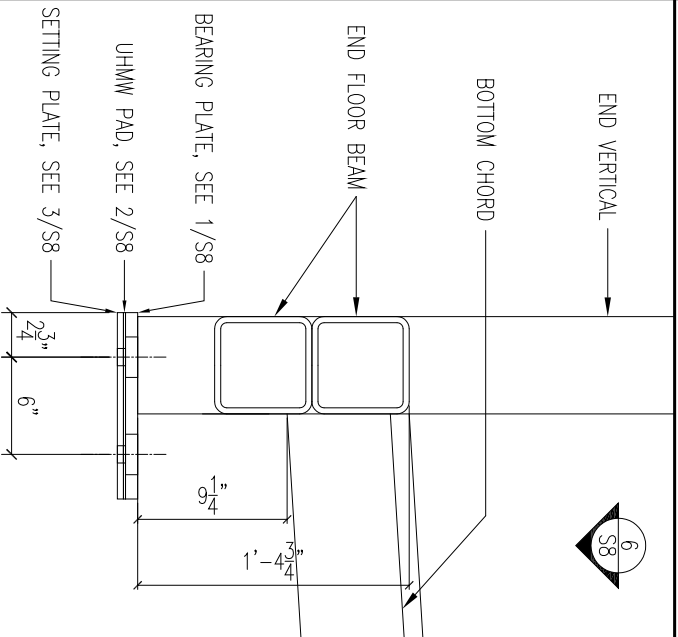
Pecatonica Prairie Path Bridge No. 99
Freeport, IL
SPAN 2 & 3 SPLICE DETAILS

"I certify that to the best of my knowledge, information and belief, this bridge design is structurally adequate for the design loading shown on the plans and complies with the requirements of the Contract and the current "AASHTO Guide Specifications for Design of Pedestrian Bridges."

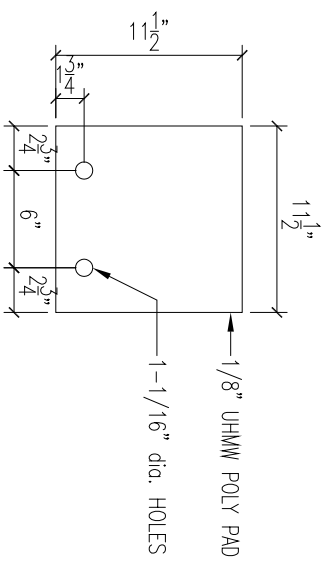
Bridge Size: 458'-8 1/4" x 11'-9 3/4"		Design: TLV		Job Number: 0929	
Date: 4-10-10		Date: Jan. 2010		Drawing Number: S7 of S9	
Rev.	Date	Revision Description	By		
1	4-10-10	Revised Span 1 & 4 to 1'-8" Top of Deck to Low Steel	TLV		



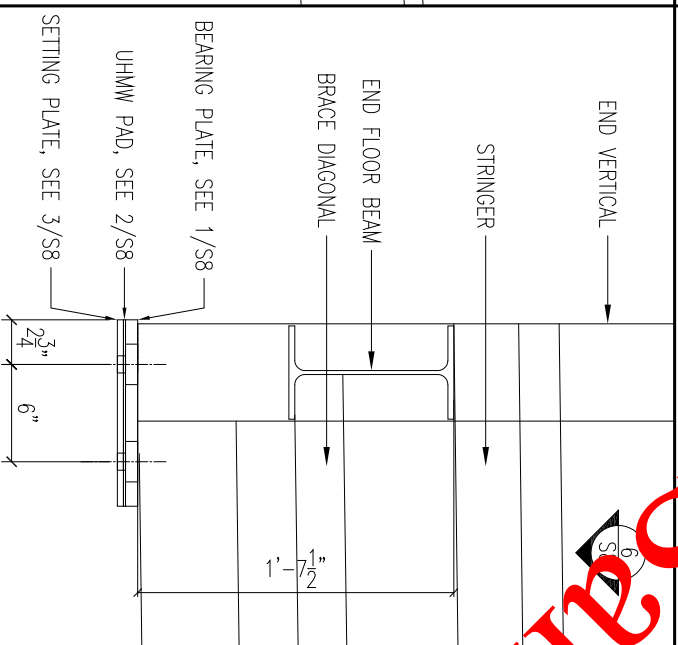
1 BEARING PLATE
SCALE: NONE



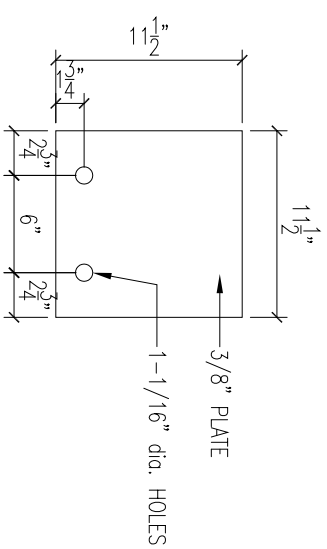
4 LOW END BEARING ELEV. SPAN 184
SCALE: NONE



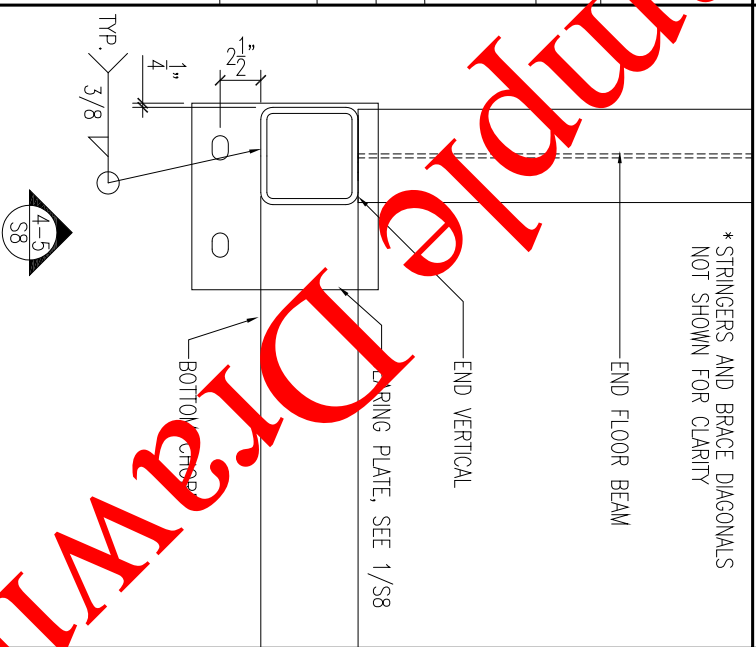
2 UHMW POLYETHYLENE PAD
SCALE: NONE



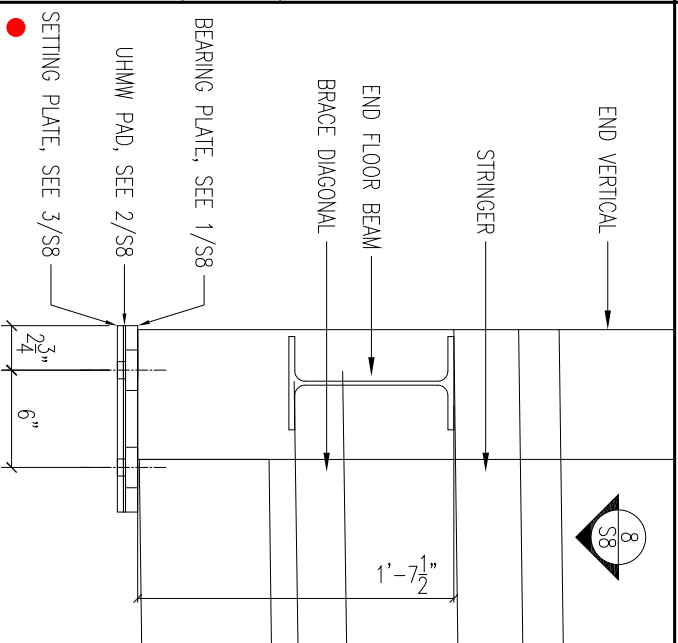
5 HIGH END BEARING ELEV. SPAN 184
SCALE: NONE



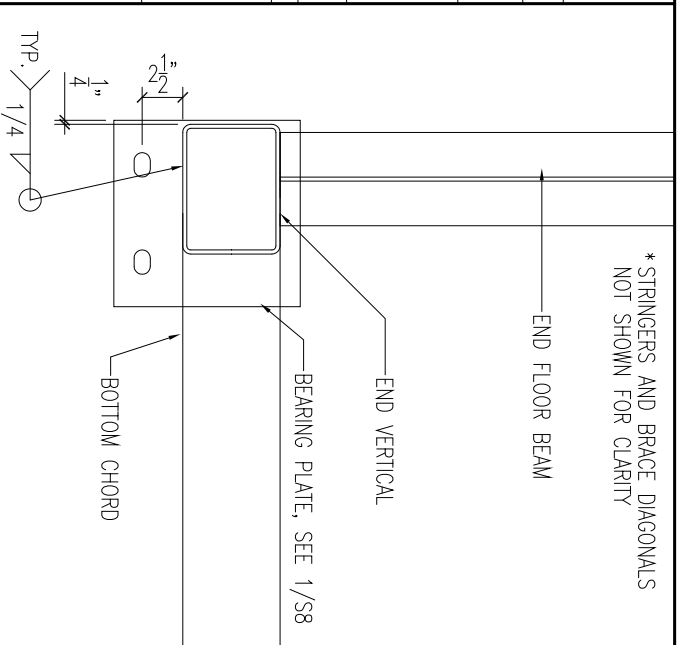
3 SETTING PLATE
SCALE: NONE



6 BEARING PLAN - SPAN 184
SCALE: NONE



7 BEARING ELEVATION - SPAN 283
SCALE: NONE



8 BEARING PLAN - SPAN 283
SCALE: NONE

BRIDGE REACTIONS - UNFACTORED (+ DOWNWARD) (- UPWARD)

SPAN 1 & 4
DEAD LOAD: 13,815 Lbs. - PER BEARING
LIVE LOAD: 30,625 Lbs. - PER BEARING
VEH. LOAD: 10,000 Lbs. - ASSUME 1/2 VEHICLE PER BEARING
THERMAL LOAD: 2,075 Lbs. - LONG. PER BEARING
(UHMW POLY COEFF. 0.15)

WIND LOAD - HORIZ.: 27,225 Lbs. - PER ABUTMENT
WIND LOAD - VERT. OVERTURNING LEeward: 14,100 Lbs.
WIND LOAD - VERT. OVERTURNING WINDWARD: - 14,100 Lbs.
WIND LOAD - UPLIFT LEeward: -3,910 Lbs.
WIND LOAD - UPLIFT WINDWARD: -11,725 Lbs.

SPAN 2 & 3
DEAD LOAD: 10,240 Lbs. - PER BEARING
LIVE LOAD: 26,820 Lbs. - PER BEARING
VEH. LOAD: 10,000 Lbs. - ASSUME 1/2 VEHICLE PER BEARING
THERMAL LOAD: 1,540 Lbs. - LONG. PER BEARING
(UHMW POLY COEFF. 0.15)

WIND LOAD - HORIZ.: 13,100 Lbs. - PER ABUTMENT
WIND LOAD - VERT. OVERTURNING LEeward: 3,720 Lbs.
WIND LOAD - VERT. OVERTURNING WINDWARD: - 3,720 Lbs.
WIND LOAD - UPLIFT LEeward: - 3,425 Lbs.
WIND LOAD - UPLIFT WINDWARD: - 10,270 Lbs.

Anderson Bridges, LLC

111 Willow Street
Colfax, WI 54730
Phone: 715-962-2800
Fax: 715-962-2801

Pecatonica Prairie Path Bridge No. 99

Freeport, IL

BEARING DETAILS

"I certify that to the best of my knowledge, information and belief, this bridge design is structurally adequate for the design loading shown on the plans and complies with the requirements of the Contract and the current "AASHTO Guide Specifications for Design of Pedestrian Bridges."

Bridge Size: 488-8 1/4" x 11-9 3/4"
Date: Jan. 2010

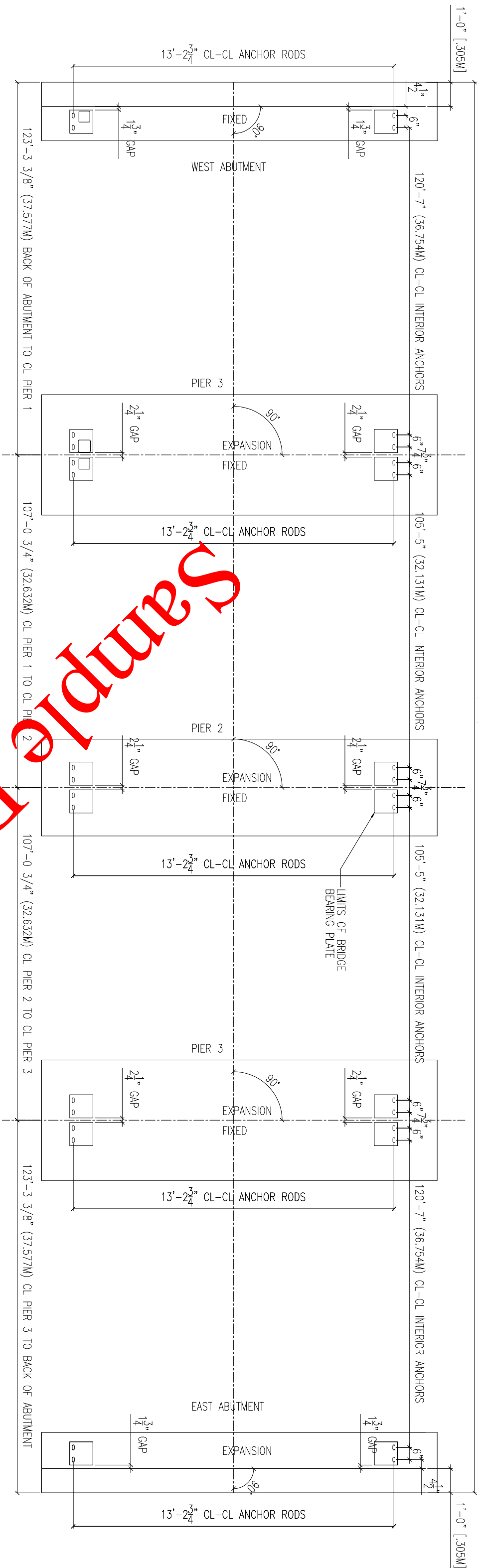
Job Number: 0929

Design: TLV
Date: Jan. 2010

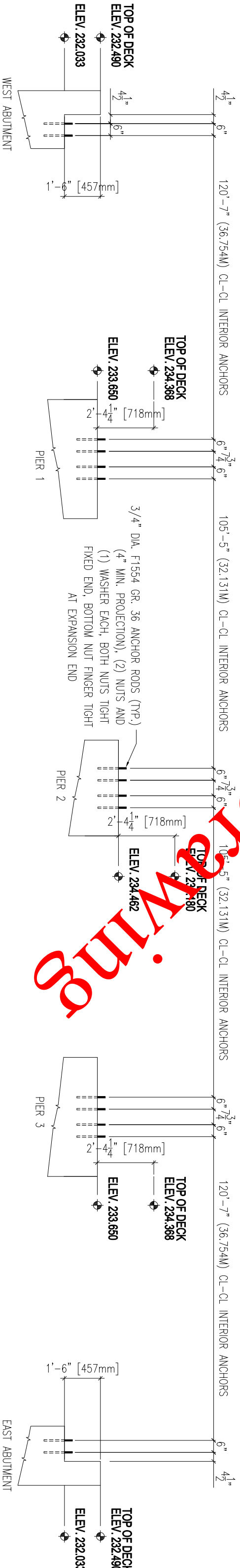
Drawing Number: 0929

DIMENSIONS SHOWN ALONG HORIZONTAL, UNLESS NOTED OTHERWISE

460'-8 1/4" (140.418M) BACK TO BACK OF ABUTMENTS



1 ANCHOR ROD LOCATION PLAN
SCALE: NONE



2 FOUNDATION CROSS SECTION
SCALE: NONE

Anderson Bridges, LLC
111 Willow Street
Colfax, WI 54730
Phone: 715-962-2800
Fax: 715-962-2801

Pecatonica Prairie Path Bridge No. 99
Freeport, IL

ANCHOR ROD LAYOUT

"I certify that to the best of my knowledge, information and belief, this bridge design is structurally adequate for the design loading shown on the plans and complies with the requirements of the Contract and the current "AASHTO Guide Specifications for Design of Pedestrian Bridges."

Bridge Size: 458'-8 1/4" x 11'-9 3/4"
Design: TLV
Date: Jan. 2010
Job Number: 0929

Rev.	Date	Revision Description	By
1	4-10-10	Revised Span 1 & 4 to 1'-8" Top of Deck to Low Steel	TLV

Drawing Number:
S9 of S9